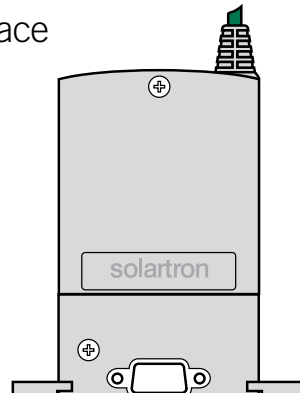


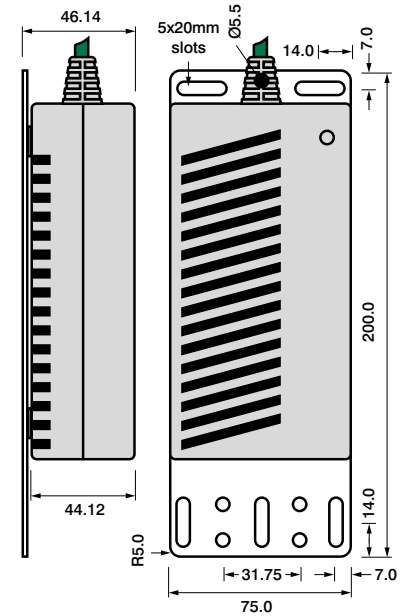
Power Supply Interface Module (PSIM)

For use with multi-channel systems needing more power than available from the computer. The power supply can also extend the network beyond the normal 10m per port limit up to 1Km



PSIM transformer

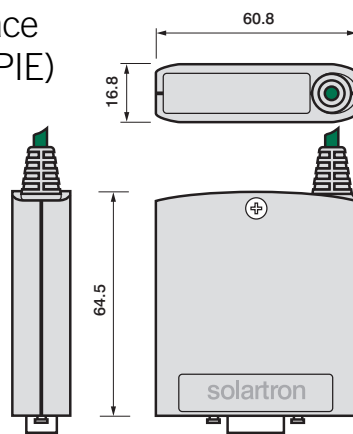
For use with Power Supply Interface Module versions PSIM-AC and PSIM-DC only.



Product type	PSIM-AC	PSIM-DC	PSIM-5V
Output voltage	5.1VDC @ 1.8A max.		
Operating Temp. Range (°C)	0 to +60		
Drive capability	Up to 31 Orbit modules dependent on type		
Supply voltage	90 to 264VAC @ 1 A max.	10 to 30VDC	+5VDC from regulated supply
Supply frequency (Hz)	47 to 440	-	-
Termination	IEC320 plug (supplied with 2m lead and local AC supply connector)	5m flying lead	5m flying lead (input directly to the module. There is no transformer)
Cable length (m)	2 (between module and power supply)		
Dimensions	As PIE plus T-CON (see below). Module does not separate		

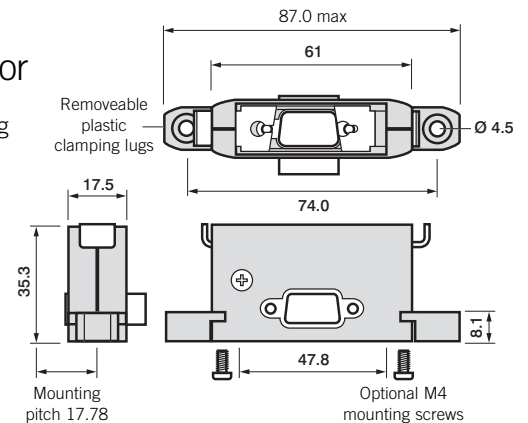
Probe Interface Electronics (PIE)

Fitted to all Solartron Metrology digital products



'T-CON' connector

The 'building block' of Orbit digital networks



Happy light

Connected on the last T-CON of the Orbit network the "happy light" plug will indicate green (on) when the power supply is within specification and flash when the network is active. It is highly recommended as an additional item to the Orbit network. Nominal dimensions are 47mm x 31mm x 15mm.